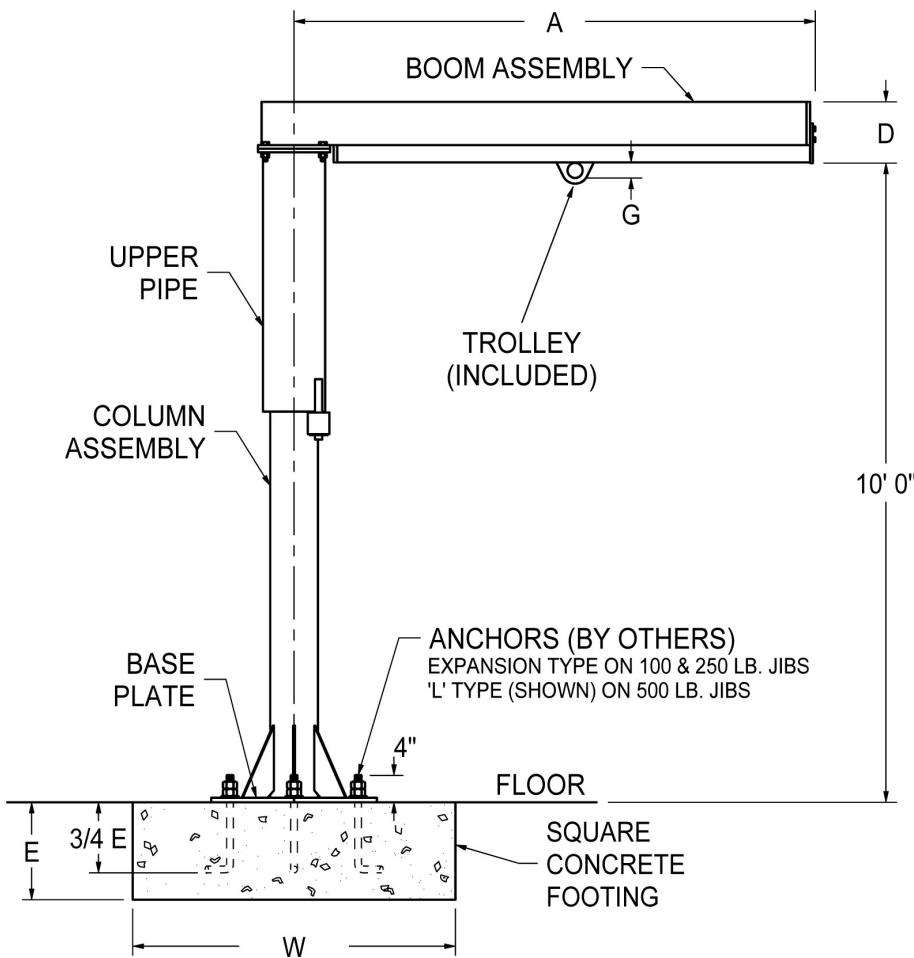


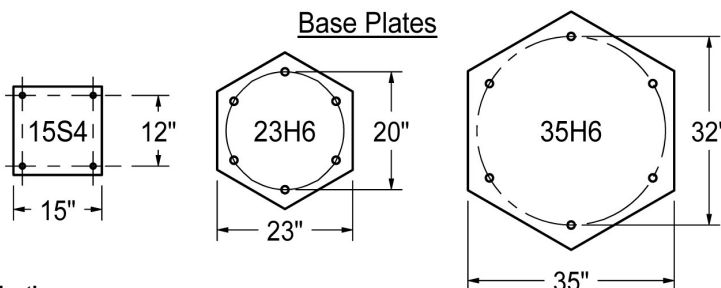
WSB WORKSTATION JIB CRANE SPECIFICATIONS

MODEL NO.	CAPACITY (LBS)	A	D	G	E	W	BASE PLATE	ANCHOR DIA.	WEIGHT (LBS)
WSB1106	100	6'	6-3/4"	2"	6"	48"	15S4	3/4"	379
WSB1108	100	8'	7-3/4"	2"	6"	60"	15S4	3/4"	424
WSB11010	100	10'	8-3/4"	2"	6"	60"	15S4	3/4"	479
WSB25106	250	6'	8-3/4"	2"	6"	48"	23H6	1"	424
WSB25108	250	8'	8-3/4"	2"	6"	60"	23H6	1"	549
WSB251010	250	10'	9-3/4"	2"	6"	60"	23H6	1"	604
WSB5106	500	6'	9-3/4"	2"	12"	48"	35H6	1"	614
WSB5108	500	8'	9-3/4"	2"	12"	60"	35H6	1"	754
WSB51010	500	10'	11-3/4"	2"	12"	60"	35H6	1"	834



Jib Crane Accessories:

- Anchor bolt kits
- Festooning trolley kit
- Templates (paper & plywood)
- Top entry electrical collector
- Adjustable rubber stops
- Rotation stops
- Hoists (electric & manual)



1377 Kimberly Drive
 Neenah, WI 54956-1642
 Phone (920) 722-0101
 Fax (920) 725-1394
www.contrx.com

CONFIDENTIAL
 Prices and specifications are
 subject to change without notice
 FOB Neenah, WI
 a15