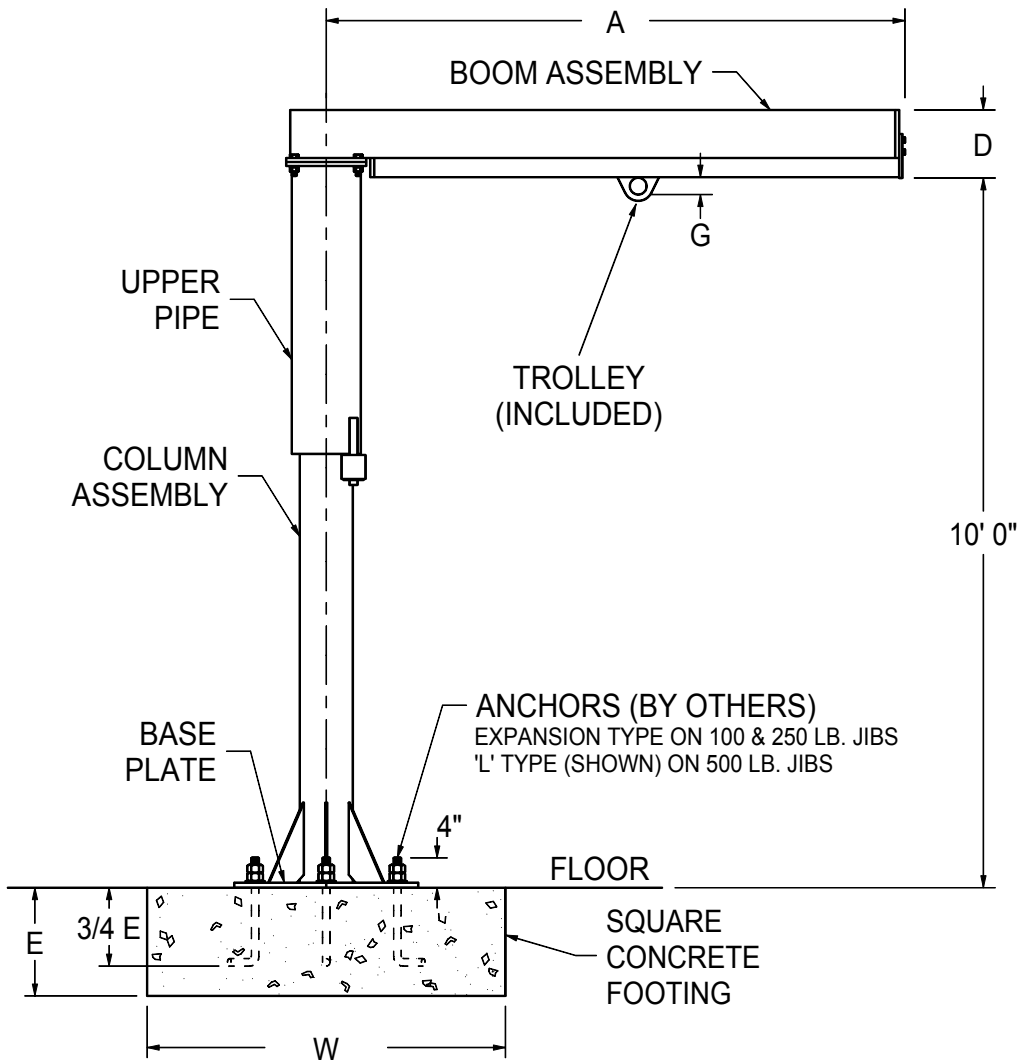


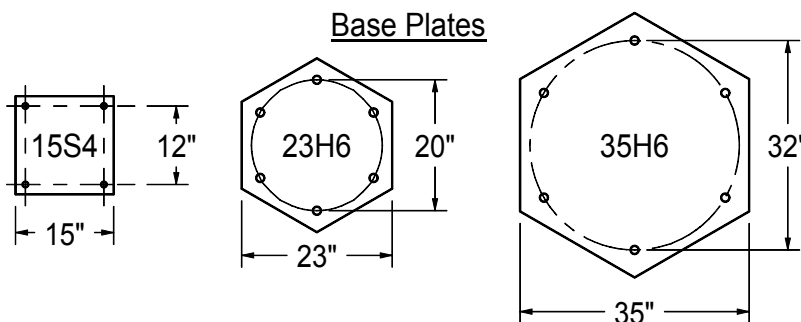
WSB WORKSTATION JIB CRANE SPECIFICATIONS

MODEL NO.	Cap. (lbs.)	"A" (ft.)	"D" (in.)	"G" (in.)	"E" (in.)	"W" (in.)	Base Plt.	Anchor Dia. (in.)	Wt. (lbs.)
WSB1106	100	6	6-3/4	2	6	48	15S4	3/4	379
WSB1108	100	8	7-3/4	2	6	60	15S4	3/4	424
WSB11010	100	10	8-3/4	2	6	60	15S4	3/4	479
WSB25106	250	6	8-3/4	2	6	48	23H6	1	424
WSB25108	250	8	8-3/4	2	6	60	23H6	1	549
WSB251010	250	10	9-3/4	2	6	60	23H6	1	604
WSB5106	500	6	9-3/4	2	12	48	35H6	1	614
WSB5108	500	8	9-3/4	2	12	60	35H6	1	754
WSB51010	500	10	11-3/4	2	12	60	35H6	1	834



Jib Crane Accessories:

- Anchor bolt kits
- Festooning trolley kit
- Templates (paper & plywood)
- Top entry electrical collector
- Adjustable rubber stops
- Rotation stops
- Hoists (electric & manual)



1377 Kimberly Drive
 Neenah, WI 54956-1642
 Phone (920) 722-0101
 Fax (920) 725-1394
www.contrx.com