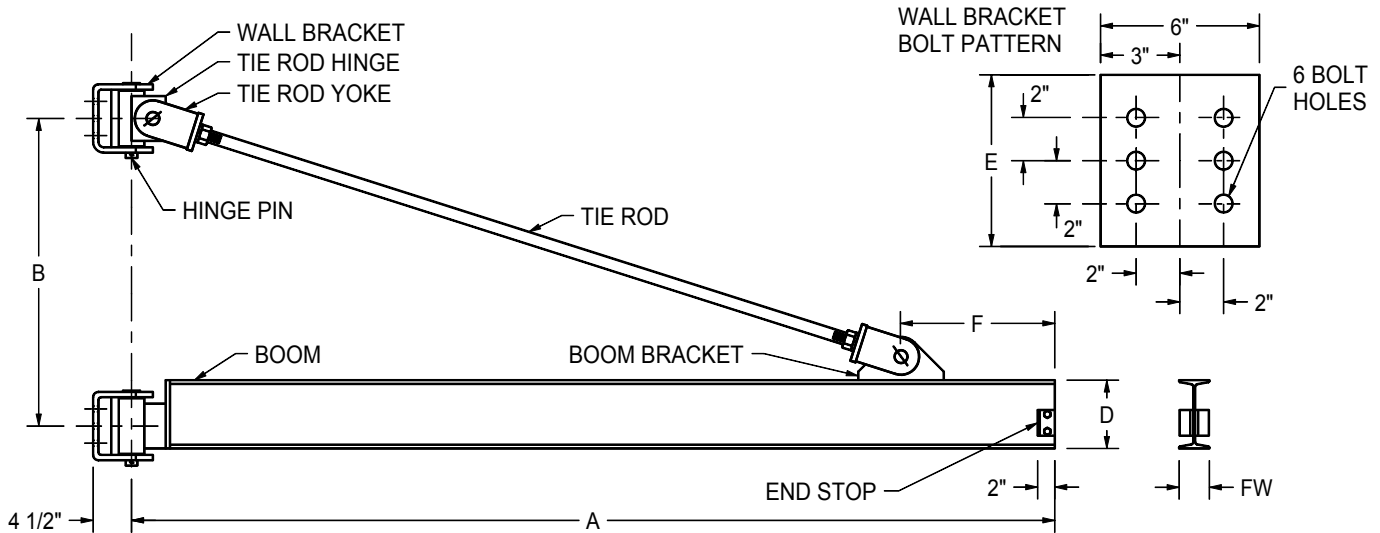


WMC OVERBRACED TIE ROD JIB CRANE SPECIFICATIONS



MODEL NO.	CAPACITY	A	B	D	FW	E	F	BOLT HOLE DIA.	THRUST & PULL (LBS.)	WEIGHT (LBS.)
WMC508	500 LB.	8'	2'-9"	6"	3 3/8"	7"	1'-3"	9/16"	2367	202
WMC510	500 LB.	10'	3'-0"	6"	3 3/8"	7"	1'-6"	9/16"	2731	232
WMC512	500 LB.	12'	3'-9"	6"	3 3/8"	7"	2'-0"	9/16"	2648	261
WMC514	500 LB.	14'	4'-6"	6"	3 3/8"	7"	2'-0"	9/16"	2603	292
WMC516	500 LB.	16'	5'-6"	6"	3 3/8"	7"	2'-0"	9/16"	2463	323
WMC518	500 LB.	18'	6'-0"	8"	4"	7"	2'-0"	9/16"	2738	458
WMC520	500 LB.	20'	6'-6"	8"	4"	7"	2'-3"	9/16"	2860	500
WMC108	1000 LB.	8'	2'-9"	6"	3 3/8"	7"	1'-3"	9/16"	4118	202
WMC110	1000 LB.	10'	3'-0"	6"	3 3/8"	7"	1'-6"	9/16"	4720	232
WMC112	1000 LB.	12'	3'-9"	6"	3 3/8"	7"	2'-0"	9/16"	4545	261
WMC114	1000 LB.	14'	4'-6"	6"	3 3/8"	7"	2'-0"	9/16"	4440	292
WMC116	1000 LB.	16'	5'-6"	6"	3 3/8"	7"	2'-0"	9/16"	4175	323
WMC118	1000 LB.	18'	6'-0"	8"	4"	7"	2'-0"	9/16"	4499	458
WMC120	1000 LB.	20'	6'-6"	8"	4"	7"	2'-3"	9/16"	4662	500
WMC208	2000 LB.	8'	2'-9"	6"	3 3/8"	7"	1'-3"	9/16"	7681	202
WMC210	2000 LB.	10'	3'-0"	6"	3 3/8"	8"	1'-6"	11/16"	8766	242
WMC212	2000 LB.	12'	3'-9"	6"	3 3/8"	8"	2'-0"	11/16"	8406	272
WMC214	2000 LB.	14'	4'-6"	8"	4"	8"	2'-0"	11/16"	8312	384
WMC216	2000 LB.	16'	5'-6"	8"	4"	8"	2'-3"	11/16"	7802	426
WMC218	2000 LB.	18'	6'-0"	8"	4"	8"	2'-6"	11/16"	8082	467
WMC220	2000 LB.	20'	6'-0"	10-3/8"	5-3/4" WF	8"	2'-6"	11/16"	9266	671
WMC408	4000 LB.	8'	2'-9"	8"	4"	8"	1'-3"	11/16"	14822	297
WMC410	4000 LB.	10'	3'-0"	8"	4"	8"	1'-6"	11/16"	16895	341
WMC412	4000 LB.	12'	3'-9"	8"	4"	8"	1'-9"	11/16"	16182	386
WMC414	4000 LB.	14'	4'-6"	8"	4"	8"	2'-0"	11/16"	15724	431
WMC416	4000 LB.	16'	5'-6"	10-3/8"	5-3/4" WF	8"	2'-3"	11/16"	14880	607
WMC418	4000 LB.	18'	6'-0"	10-3/8"	5-3/4" WF	8"	2'-3"	11/16"	15384	668
WMC420	4000 LB.	20'	6'-6"	12-3/8"	6-1/2" WF	8"	2'-6"	11/16"	15973	811
WMC608	6000 LB.	8'	2'-9"	8"	4"	8"	1'-3"	13/16"	22070	317
WMC610	6000 LB.	10'	3'-3"	8"	4"	8"	1'-6"	13/16"	23193	364
WMC612	6000 LB.	12'	4'-0"	10-1/2"	5-3/4" WF	8"	1'-9"	13/16"	22668	560
WMC614	6000 LB.	14'	4'-9"	10-1/2"	5-3/4" WF	8"	2'-0"	13/16"	22251	631
WMC616	6000 LB.	16'	5'-6"	10-1/2"	5-3/4" WF	8"	2'-3"	13/16"	21966	702
WMC618	6000 LB.	18'	6'-3"	16"	7" WF	8"	2'-3"	13/16"	22160	963
WMC620	6000 LB.	20'	7'-0"	16"	7" WF	8"	2'-6"	13/16"	22056	1397

WF INDICATES THAT THIS JIB CRANE USES A WIDE-FLANGE BEAM. THE TROLLEY USED ON THIS CRANE MUST BE DESIGNED TO OPERATE ON A WIDE-FLANGE BEAM.

CONSULT FACTORY FOR:

- Special boom lengths and capacities
- Motorized rotation
- Mounting hardware
- Hinge kits
- Matching hoist and trolley systems



1377 Kimberly Drive
Neenah, WI 54956-1642
Phone (920) 722-0101
Fax (920) 725-1394

www.contrx.com