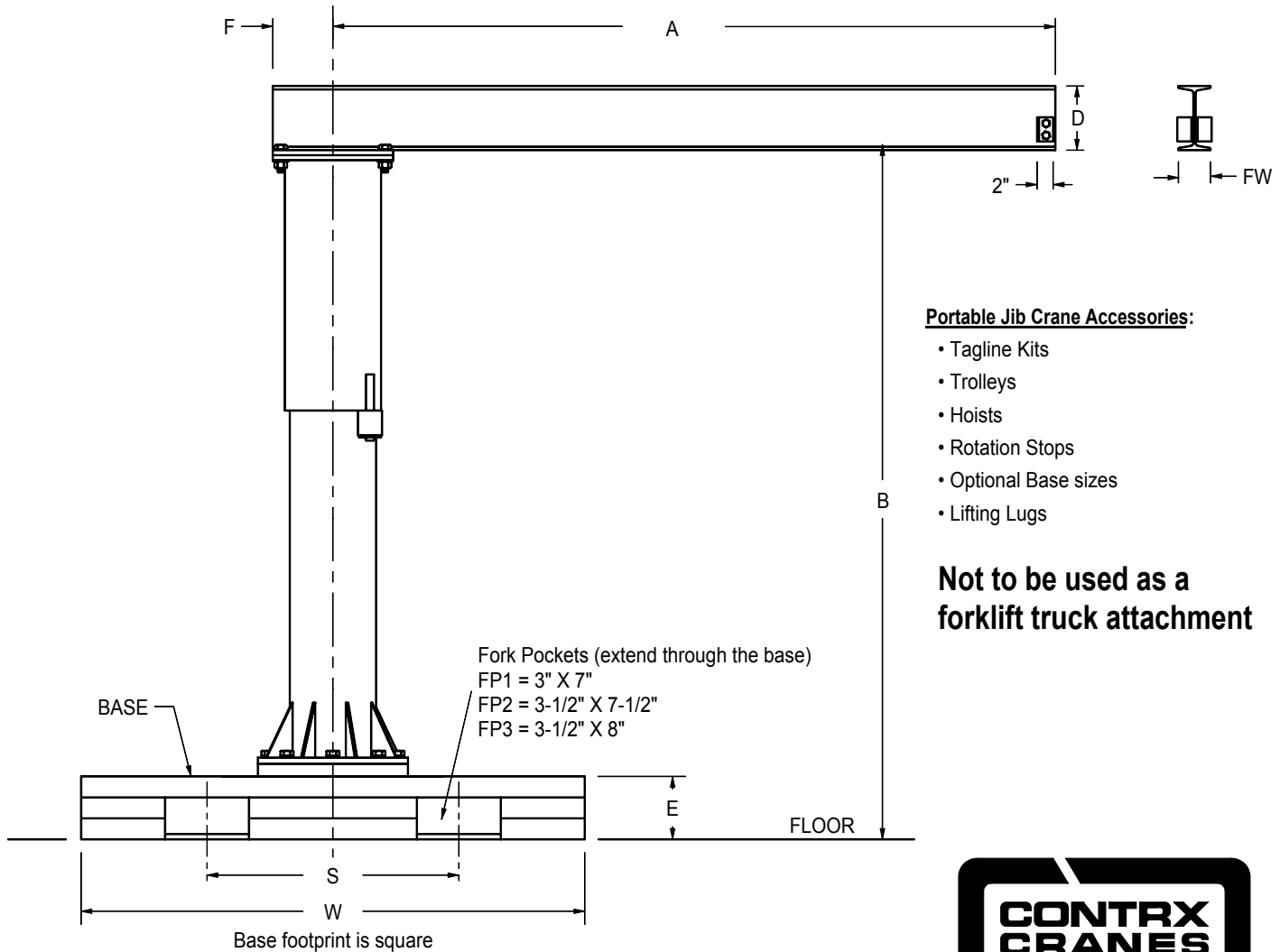


# PORTABLE JIB CRANE SPECIFICATIONS

(WEIGHT IS FOR JIB CRANE ONLY)

CAPACITY (LBS)	DIMENSIONS								B = 8'-0"		B = 10'-0"		B = 12'-0"	
	A	D	E	F	S	W	FW	FORK POCKETS	MODEL	WEIGHT (LBS.)	MODEL	WEIGHT (LBS.)	MODEL	WEIGHT (LBS.)
250	6'-0"	5"	4"	4"	26"	48"	3.00"	FP2	PBB2586	2221	PBB25106	2250	PBB25126	2279
	8'-0"	5"	4"	4"	26"	48"	3.00"	FP2	PBB2588	2241	PBB25108	2270	PBB25128	2299
	10'-0"	5"	6"	4"	26"	48"	3.00"	FP3	PBB25810	3427	PBB251010	3456	PBB251210	3485
	12'-0"	5"	7"	4"	26"	48"	3.00"	FP3	PBB25812	4098	PBB251012	4128	PBB251212	4157
	14'-0"	6"	8"	4"	26"	48"	3.33"	FP3	PBB25814	4807	PBB251014	4836	PBB251214	4865
500	6'-0"	5"	6"	5"	26"	48"	3.00"	FP3	PBB586	3435	PBB5106	3473	PBB5126	3511
	8'-0"	5"	7"	5"	26"	48"	3.00"	FP3	PBB588	4106	PBB5108	4144	PBB5128	4182
	10'-0"	5"	9"	5"	26"	48"	3.00"	FP3	PBB5810	5430	PBB51010	5468	PBB51210	5506
	12'-0"	6"	6"	6 1/2"	26"	60"	3.33"	FP3	PBB5812	5571	PBB51012	5615	PBB51212	5660
1000	6'-0"	6"	4"	6 1/2"	26"	60"	3.33"	FP1	PBB186	3809	PBB1106	3854	PBB1126	3895
	8'-0"	6"	6"	6 1/2"	26"	60"	3.33"	FP3	PBB188	5521	PBB1108	5565	PBB1128	5610



**Portable Jib Crane Accessories:**

- Tagline Kits
- Trolleys
- Hoists
- Rotation Stops
- Optional Base sizes
- Lifting Lugs

**Not to be used as a forklift truck attachment**



1377 Kimberly Drive  
 Neenah, WI 54956-1642  
 Office (920) 722-0101  
 Fax (920) 725-1394  
[www.contrx.com](http://www.contrx.com)

**Features:**

- Can be easily moved from place to place
- Requires no concrete foundation
- Can be used on floors above ground floor
- Can be easily stored out of the way