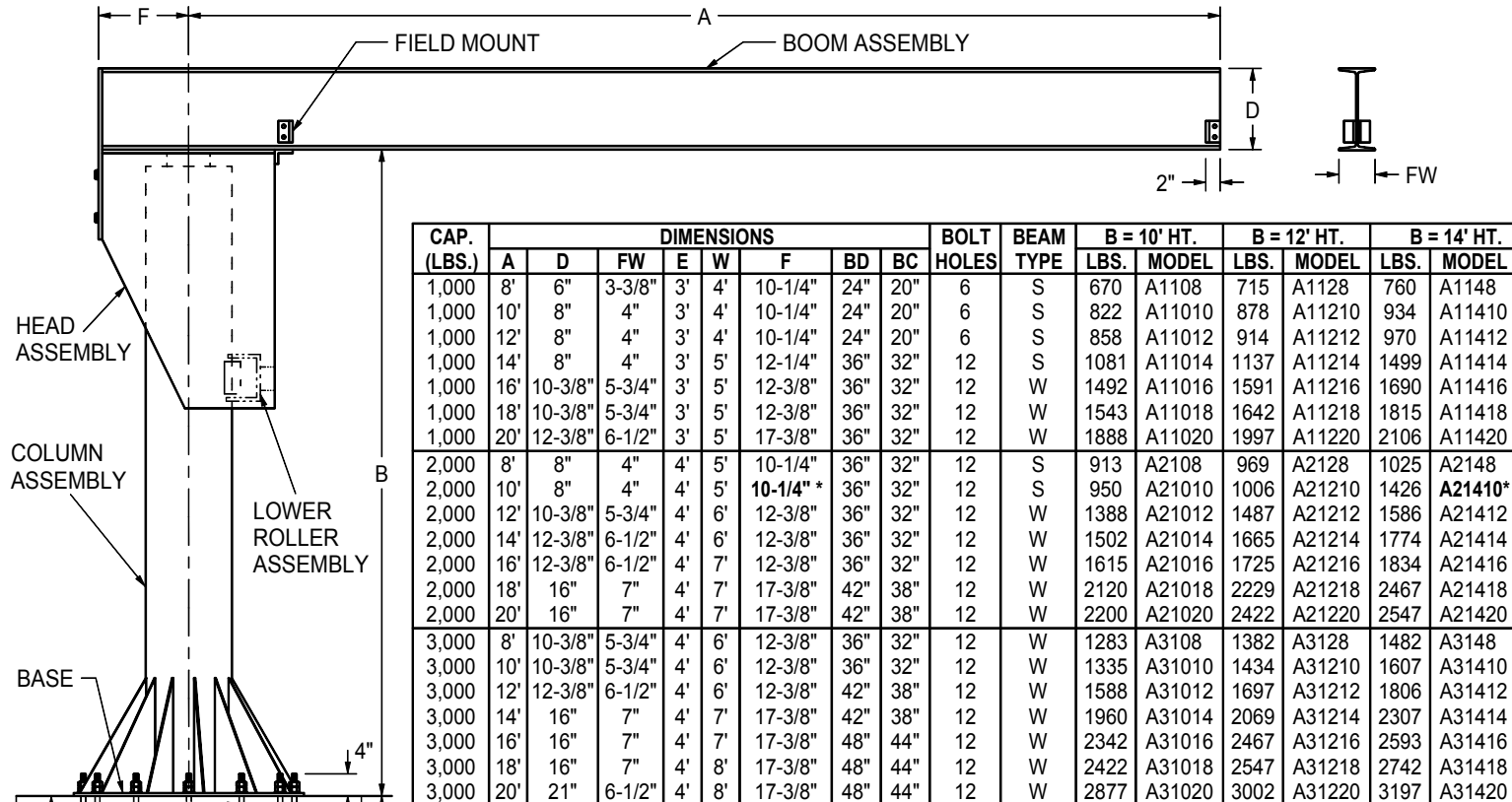


FLOOR MOUNTED 'A' SERIES JIB CRANE SPECIFICATIONS



CAP. (LBS.)	DIMENSIONS									BOLT HOLES	BEAM TYPE	B = 10' HT.		B = 12' HT.		B = 14' HT.	
	A	D	FW	E	W	F	BD	BC	LBS.			MODEL	LBS.	MODEL	LBS.	MODEL	
1,000	8'	6"	3-3/8"	3'	4'	10-1/4"	24"	20"	6	S	670	A1108	715	A1128	760	A1148	
1,000	10'	8"	4"	3'	4'	10-1/4"	24"	20"	6	S	822	A11010	878	A11210	934	A11410	
1,000	12'	8"	4"	3'	4'	10-1/4"	24"	20"	6	S	858	A11012	914	A11212	970	A11412	
1,000	14'	8"	4"	3'	5'	12-1/4"	36"	32"	12	S	1081	A11014	1137	A11214	1499	A11414	
1,000	16'	10-3/8"	5-3/4"	3'	5'	12-3/8"	36"	32"	12	W	1492	A11016	1591	A11216	1690	A11416	
1,000	18'	10-3/8"	5-3/4"	3'	5'	12-3/8"	36"	32"	12	W	1543	A11018	1642	A11218	1815	A11418	
1,000	20'	12-3/8"	6-1/2"	3'	5'	17-3/8"	36"	32"	12	W	1888	A11020	1997	A11220	2106	A11420	
2,000	8'	8"	4"	4'	5'	10-1/4"	36"	32"	12	S	913	A2108	969	A2128	1025	A2148	
2,000	10'	8"	4"	4'	5'	10-1/4"	36"	32"	12	S	950	A21010	1006	A21210	1426	A2140*	
2,000	12'	10-3/8"	5-3/4"	4'	6'	12-3/8"	36"	32"	12	W	1388	A21012	1487	A21212	1586	A21412	
2,000	14'	12-3/8"	6-1/2"	4'	6'	12-3/8"	36"	32"	12	W	1502	A21014	1665	A21214	1774	A21414	
2,000	16'	12-3/8"	6-1/2"	4'	7'	12-3/8"	36"	32"	12	W	1615	A21016	1725	A21216	1834	A21416	
2,000	18'	16"	7"	4'	7'	17-3/8"	42"	38"	12	W	2120	A21018	2229	A21218	2467	A21418	
2,000	20'	16"	7"	4'	7'	17-3/8"	42"	38"	12	W	2200	A21020	2422	A21220	2547	A21420	
3,000	8'	10-3/8"	5-3/4"	4'	6'	12-3/8"	36"	32"	12	W	1283	A3108	1382	A3128	1482	A3148	
3,000	10'	10-3/8"	5-3/4"	4'	6'	12-3/8"	36"	32"	12	W	1335	A31010	1434	A31210	1607	A31410	
3,000	12'	12-3/8"	6-1/2"	4'	6'	12-3/8"	42"	38"	12	W	1588	A31012	1697	A31212	1806	A31412	
3,000	14'	16"	7"	4'	7'	17-3/8"	42"	38"	12	W	1960	A31014	2069	A31214	2307	A31414	
3,000	16'	16"	7"	4'	7'	17-3/8"	48"	44"	12	W	2342	A31016	2467	A31216	2593	A31416	
3,000	18'	16"	7"	4'	8'	17-3/8"	48"	44"	12	W	2422	A31018	2547	A31218	2742	A31418	
3,000	20'	21"	6-1/2"	4'	8'	17-3/8"	48"	44"	12	W	2877	A31020	3002	A31220	3197	A31420	
4,000	8'	10-3/8"	5-3/4"	4'	6'	12-3/8"	36"	32"	12	W	1337	A4108	1446	A4128	1555	A4148	
4,000	10'	12-3/8"	6-1/2"	4'	6'	12-3/8"	36"	32"	12	W	1435	A41010	1545	A41210	1654	A41410	
4,000	12'	16"	7"	4'	7'	17-3/8"	42"	38"	12	W	1980	A41012	2106	A41212	2231	A41412	
4,000	14'	16"	7"	4'	7'	17-3/8"	42"	38"	12	W	2057	A41014	2182	A41214	2307	A41414	
4,000	16'	21"	6-1/2"	4'	8'	17-3/8"	48"	44"	12	W	2649	A41016	2774	A41216	2969	A41416	
4,000	18'	23-3/4"	7"	4'	8'	21-3/8"	48"	44"	12	W	3315	A41018	3456	A41218	3597	A41418	
4,000	20'	23-3/4"	7"	4'	8'	21-3/8"	48"	44"	12	W	3439	A41020	3580	A41220	4337	A41420**	
6,000	8'	16"	7"	4'	7'	17-3/8"	42"	38"	12	W	1836	A6108	1961	A6128	2086	A6148	
6,000	10'	16"	7"	4'	7'	17-3/8"	42"	38"	12	W	1916	A61010	2041	A61210	2166	A61410	
6,000	12'	16"	7"	4'	7'	21-3/8"	48"	44"	12	W	2716	A61012	2857	A61212	2998	A61412	
6,000	14'	21"	6-1/2"	4'	8'	21-3/8"	48"	44"	12	W	3075	A61014	3216	A61214	3357	A61414	
6,000	16'	23-3/4"	7"	4'	8'	21-1/2"	48"	44"	12	W	3759	A61016	3968	A61216	4176	A61416	
6,000	18'	23-7/8"	9"	4'	9'	21-1/2"	54"	50"	12	W	4434	A61018	4642	A61218	4850	A61418	
6,000	20'	23-7/8"	9"	4'	9'	24-1/2"	54"	50"	12	W	4980	A61020	5231	A61220	5482	A61420	
10,000	8'	21-1/8"	8-1/4"	4'	9'	21-1/2"	60"	56"	12	W	3826	A10108	4034	A10128	4495	A10148	
10,000	10'	21-1/8"	8-1/4"	4'	9'	21-1/2"	60"	56"	12	W	3962	A101010	4170	A101210	4631	A101410	
10,000	12'	21-1/8"	8-1/4"	4'	9'	24-1/2"	66"	60"	12	W	4627	A101012	4878	A101212	5578	A101412	
10,000	14'	23-7/8"	9"	4'	9'	24-1/2"	66"	60"	12	W	4983	A101014	5234	A101214	5933	A101414	
10,000	16'	23-7/8"	9"	4'	10'	24-1/2"	66"	60"	12	W	5135	A101016	5386	A101216	6085	A101416	
10,000	18'	23-7/8"	9"	4'	10'	29-1/2"	72"	66"	12	W	6086	A101018	6401	A101218	6716	A101418	
10,000	20'	24-1/2"	9"	4'	10'	29-1/2"	72"	66"	12	W	6843	A101020	7158	A101220	7473	A101420	

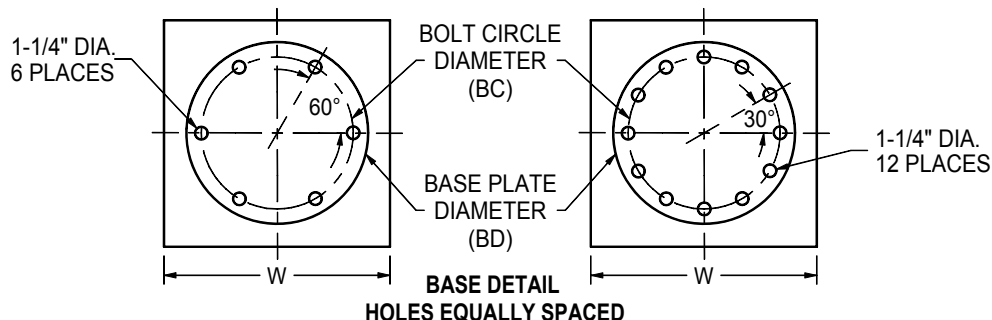
Jib Crane Accessories:

- Anchor Bolt Kits
- Tagline Kits
- Templates (Paper & Plywood)
- Hoists & Trolleys (Electric & Manual)
- Motorized Rotation

"S" type beams are standard beams with tapered flanges. "W" type beams are wide-flange beams with flat flanges. The trolley used on a "W" type beam must be designed to operate on a wide-flange beam.

* Model A21410 has an 'F' dimension of 12-1/4".

** Model A41420 has an 'F' dimension of 21-1/2"



1377 Kimberly Drive
Neenah, WI 54956-1642
Phone (920) 722-0101
Fax (920) 725-1394

www.contrx.com