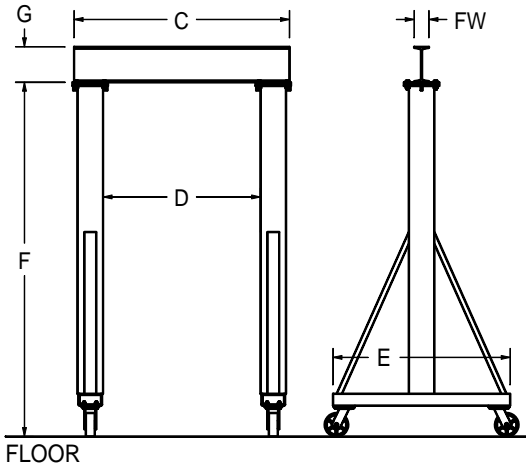


PORTABLE GANTRY CRANE SPECIFICATIONS

Our Fixed Height Gantry Cranes are ideal for use in aircraft, automotive, and marine repair shops. They also work well in warehouses, machine shops, and loading areas. Gantry cranes are supplied with four roller-bearing steel wheels for easy maneuverability. The structural steel legs are welded together at the factory. Gantry crane requires assembly before use.

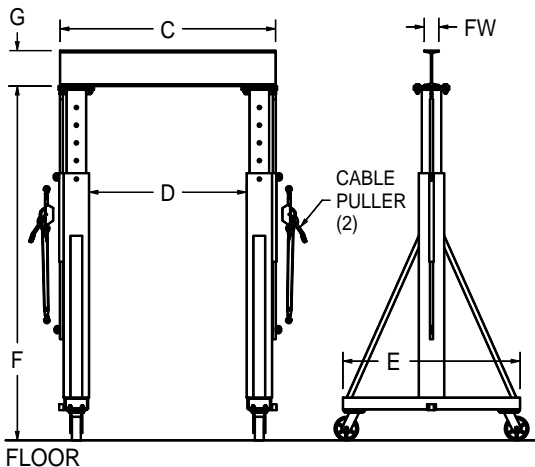


FIXED HEIGHT GANTRY CRANE SPECIFICATIONS										
MODEL NUMBER	CAP. (TONS)	STEEL * WHEELS	C	D	E	F	G	FW	BEAM TYPE**	WEIGHT (LBS.)
GC1-8	1	5" X 1 5/8"	9'-5"	8'	5'	10'	5"	3"	S	526
GC1-12	1	5" X 1 5/8"	13'-5"	12'	5'	10'	6"	3 3/8"	S	600
GC1-16	1	5" X 1 5/8"	17'-5"	16'	5'	10'	8"	4"	S	750
GC2-8	2	8" X 1 1/2"	9'-6"	8'	5'	10'	6"	3 3/8"	S	651
GC2-12	2	8" X 1 1/2"	13'-6"	12'	5'	10'	8"	4"	S	781
GC2-16	2	8" X 1 1/2"	17'-6"	16'	5'	10'	10-3/8"	5-3/4"	W	1030
GC3-8	3	8" X 2 1/2"	9'-6 5/8"	8'	5'	10'	8"	4"	S	1018
GC3-12	3	8" X 2 1/2"	13'-6 5/8"	12'	5'	10'	10-1/2"	5-3/4"	W	1247
GC3-16	3	8" X 2 1/2"	17'-6 5/8"	16'	5'	10'	13-5/8"	8"	W	1594
GC4-8	4	8" X 3"	9'-8 5/8"	8'	5'	10'	9-7/8"	8"	W	1393
GC4-12	4	8" X 3"	13'-8 5/8"	12'	5'	10'	9-7/8"	8"	W	1549
GC4-16	4	8" X 3"	17'-8 5/8"	16'	5'	10'	13-5/8"	8"	W	1776
GC5-8	5	8" X 3"	9'-8 5/8"	8'	5'	10'	16-3/8"	7-1/8"	W	1651
GC5-12	5	8" X 3"	13'-8 5/8"	12'	5'	10'	16-3/8"	7-1/8"	W	1879
GC5-16	5	8" X 3"	17'-8 5/8"	16'	5'	10'	16-3/8"	7-1/8"	W	2107

* DIAMETER OF WHEELS BY TREAD WIDTH

** "S" type beams are standard beams with tapered flanges. "W" type beams are wide-flange beams with flat flanges. The trolley used on a "W" type beam must be designed to operate on a wide-flange beam.

Our Telescoping Height Gantry Cranes have the same abilities as our fixed height gantries with the added benefit of raising or lowering the beam to suit your need. The beam will adjust from 8'-0" to 12'-0" below the beam with positive stops every 6". The beam is raised and lowered with the aid of two cable pullers (included). Locking pins hold the beam at the desired height.



TELESCOPING HEIGHT GANTRY CRANE SPECIFICATIONS											
MODEL NUMBER	CAP. (TONS)	STEEL * WHEELS	C	D	E	F		G	FW	BEAM TYPE**	WEIGHT (LBS.)
						MIN.	MAX.				
GCT1-8	1	5" X 1 5/8"	9'-5 9/16"	8'	5'	8'	12'	5"	3"	S	733
GCT1-12	1	5" X 1 5/8"	13'-5 9/16"	12'	5'	8'	12'	6"	3 3/8"	S	807
GCT1-16	1	5" X 1 5/8"	17'-5 9/16"	16'	5'	8'	12'	8"	4"	S	957
GCT2-8	2	8" X 1 1/2"	9'-6 5/8"	8'	5'	8'	12'	6"	3 3/8"	S	886
GCT2-12	2	8" X 1 1/2"	13'-6 5/8"	12'	5'	8'	12'	8"	4"	S	1016
GCT2-16	2	8" X 1 1/2"	17'-6 5/8"	16'	5'	8'	12'	10-3/8"	5-3/4"	W	1266
GCT3-8	3	8" X 2 1/2"	9'-6 5/8"	8'	5'	8'	12'	8"	4"	S	1202
GCT3-12	3	8" X 2 1/2"	13'-6 5/8"	12'	5'	8'	12'	10-1/2"	5-3/4"	W	1431
GCT3-16	3	8" X 2 1/2"	17'-6 5/8"	16'	5'	8'	12'	13-5/8"	8"	W	1778
GCT4-8	4	8" X 3"	9'-8 5/8"	8'	5'	8'	12'	9-7/8"	8"	W	1607
GCT4-12	4	8" X 3"	13'-8 5/8"	12'	5'	8'	12'	9-7/8"	8"	W	1763
GCT4-16	4	8" X 3"	17'-8 5/8"	16'	5'	8'	12'	13-5/8"	8"	W	1989
GCT5-8	5	8" X 3"	9'-8 5/8"	8'	5'	8'	12'	16-3/8"	7-1/8"	W	1865
GCT5-12	5	8" X 3"	13'-8 5/8"	12'	5'	8'	12'	16-3/8"	7-1/8"	W	2093
GCT5-16	5	8" X 3"	17'-8 5/8"	16'	5'	8'	12'	16-3/8"	7-1/8"	W	2321

* DIAMETER OF WHEELS BY TREAD WIDTH

** "S" type beams are standard beams with tapered flanges. "W" type beams are wide-flange beams with flat flanges. The trolley used on a "W" type beam must be designed to operate on a wide-flange beam.

FIXED & TELESCOPING GANTRY CRANES

Semi-steel heavy-duty swivel casters with roller bearings are standard equipment. Two casters are supplied with brakes.

Gantries are easily disassembled and assembled for relocation.

Contact factory for special heights, spans, and options.



1377 Kimberly Drive
Neenah, WI 54956-1642
Phone (920) 722-0101
Fax (920) 725-1394

www.contrx.com